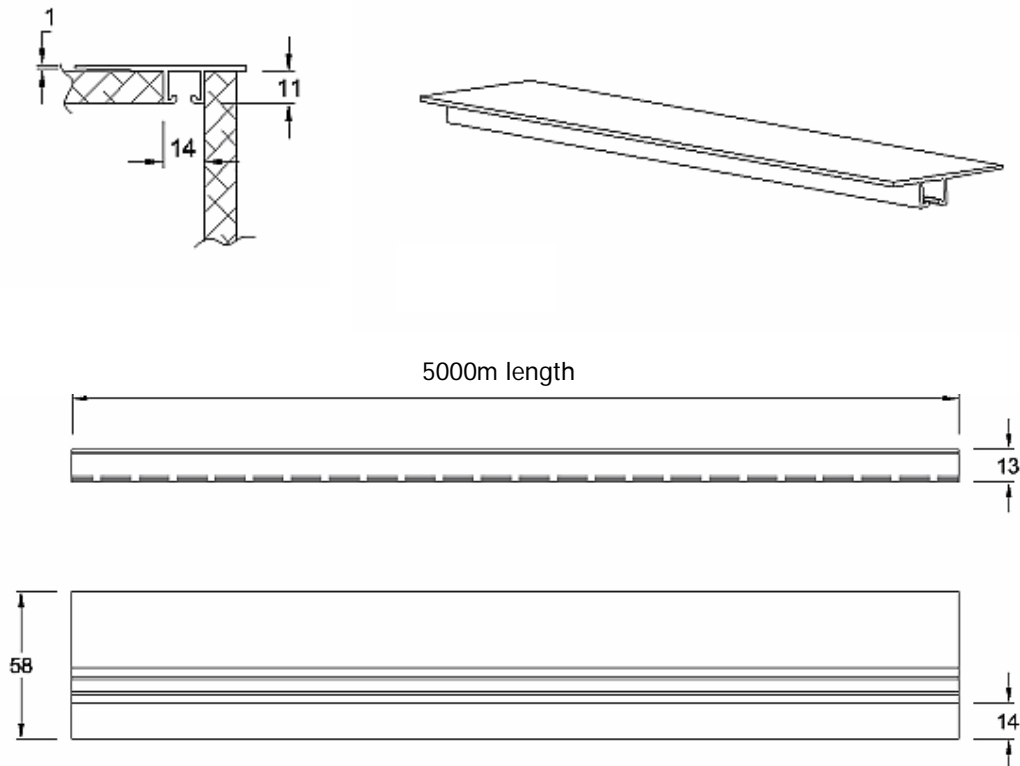




## Ceiling Recessed Rail

- 5.0m in length
- Mill finish
- Plasterboard recessed extrusion

The extrusion is fitted to the ceiling structure (joists) prior to installation of the plasterboard ceiling. The plasterboard wall sheet is inserted into the wall flange gap, removing the need to plaster set the cornice. The wall flange can be removed to suit masonry and rendered walls. After setting, the Ceiling Recessed Rail creates both shadowline and hanging system.



Freecall 1800 278 4264  
info@arthangingsystems.com.au  
www.arthangingsystems.com.au